

Stanilite®

Platinum batten LED Nexus® - 4 foot



Catalogue no.	Description
Nexus products	
PBL4LX46LM	Platinum batten LED Nexus LX 4600 lumens maintained
PBL4RF46LM	Platinum batten LED Nexus RF 4600 lumens maintained
Spare parts	
03-01307P	Battery LiFePO4 6.4V 3.2Ah

Range

Platinum range

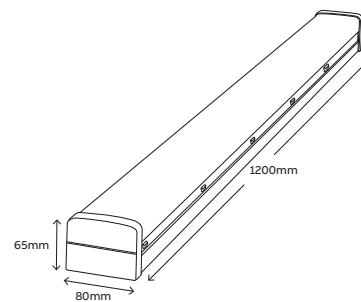
Product group

Batten LED



Features

- Typically 4,600 lumens on mains AC operation, 555 lumens in emergency operation
- IP40
- IK06 impact rating
- Long LED life 50,000 hours
- Colour temperature 4,000K
- High colour rendering index CRI>80
- Advanced charging technology combined with Lithium iron phosphate battery for long life and low maintenance
- Large terminal block for quick and easy installation
- Lanyard attached to the lamp and base body makes installation easier
- Frosted diffuser for even light distribution
- Insect proof sealed LED module
- Can be surface mounted or suspended
- AC efficacy typically 120 lumens/watt
- Ambient operating temperature; AC 0°C to +40°C and EM +10°C to +40°C
- Nexus monitored, either cabled or wireless



Dimensions			
	Length	Width	Height
	1200mm	80mm	65mm

Weight	
Model	Weight
Nexus LX/RF	2.8kg

Construction	
Part	Construction
Base body	Powder coated steel
Lamp body, end cap and diffuser	Polycarbonate and aluminium

Light source				
	Model	Light source		
	Nexus LX/RF	LED strips		

Power consumption				
	Model	Normal	S/A off	Standby
	Nexus LX/RF	39W	1W	N/A

Note: Preliminary results

Photometrics			
	Model	Class	Classification
	Nexus LX/RF	C0	D63
		C90	D50

Note: Preliminary results

Note:

- AC designed to comply with AS/NZS60598.2.1 and meet relevant Australian EMC standards
- EM designed to comply with AS2293.3 and meet relevant Australian EMC standards